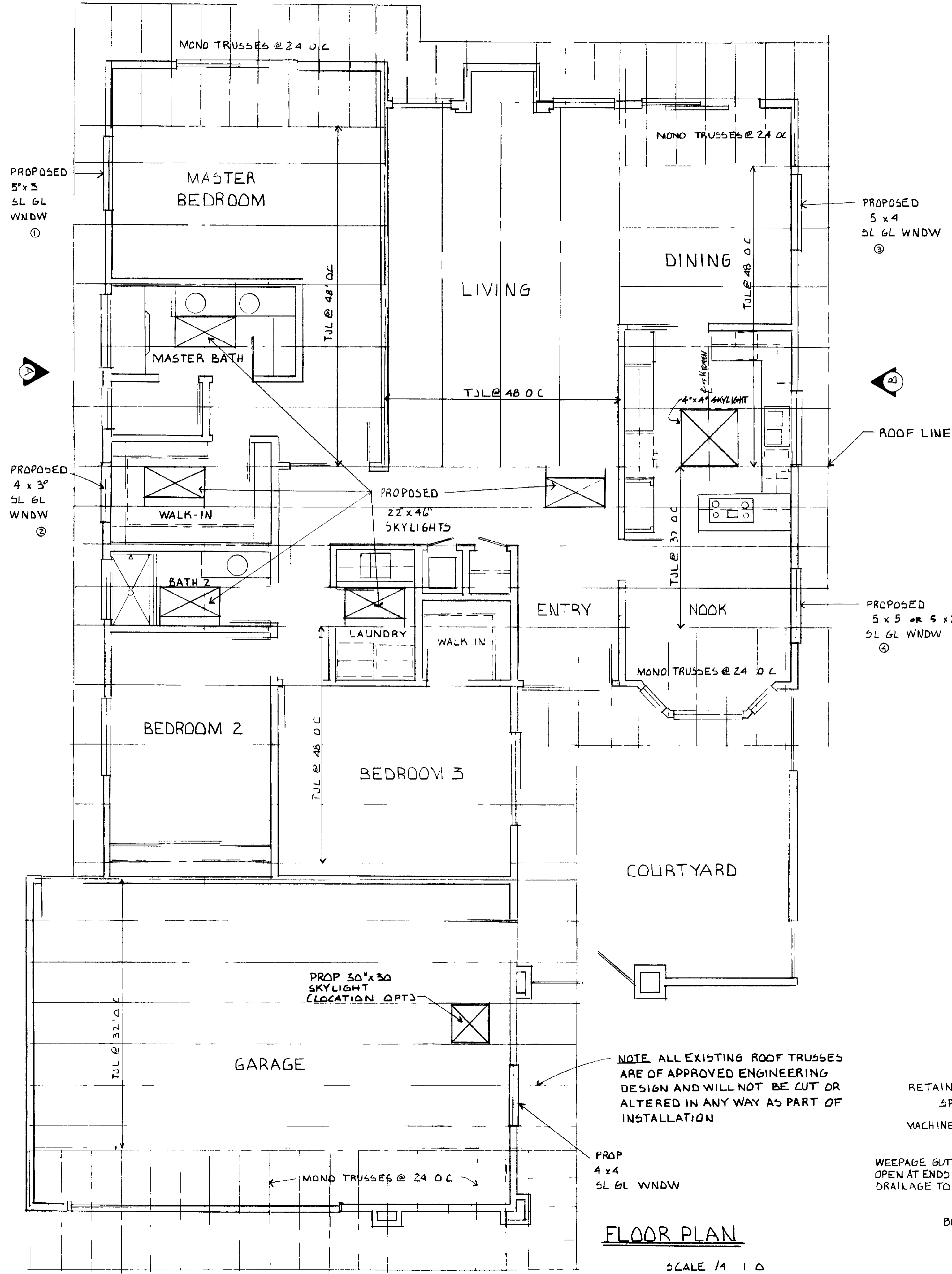


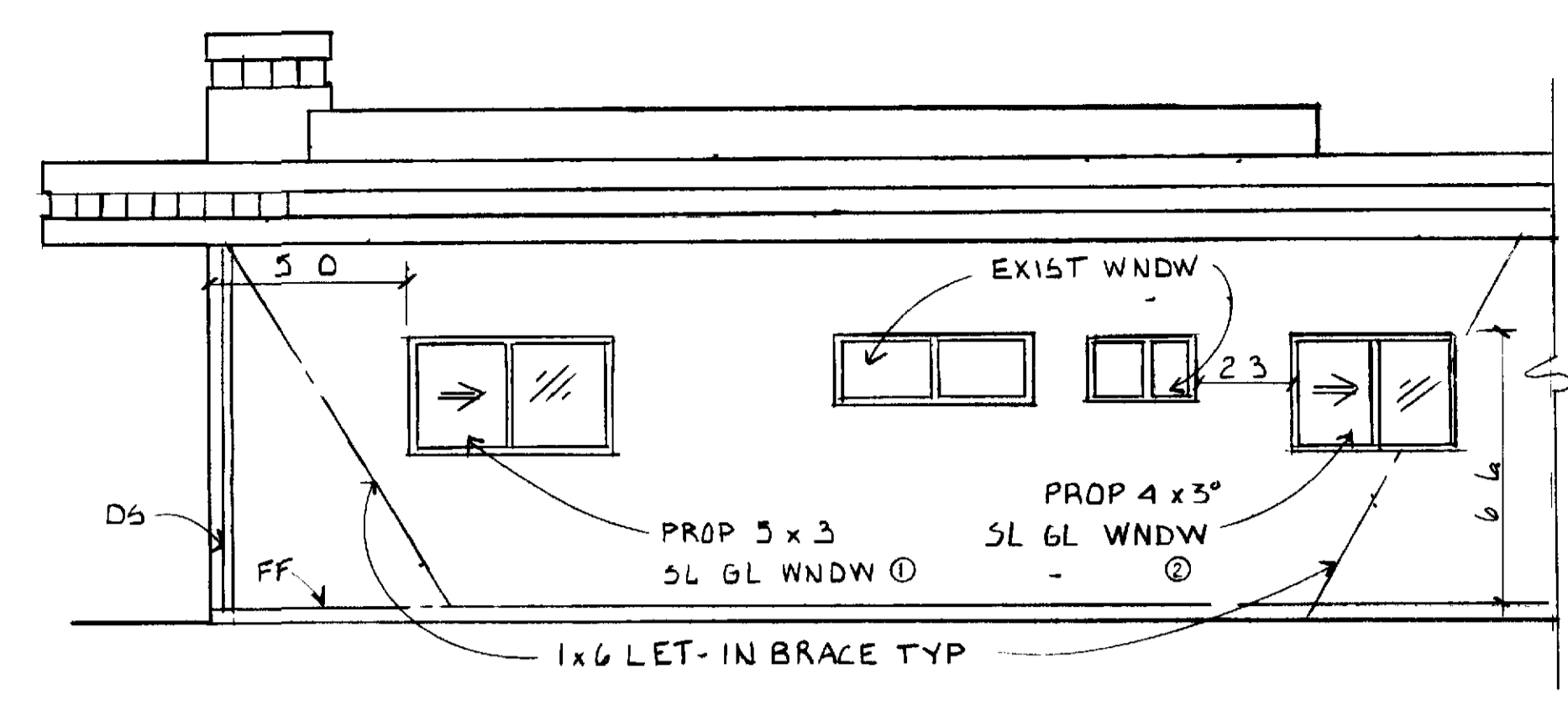
NOTES

- 1 Dimensions have preference over scale
- 2 Contractor shall verify all dimensions & conditions @ each job site prior to commencing construction
- 3 Contractor shall secure and pay for all permits reqd by P.C.M. Inc & Orange County Bldg Dept
- 4 Walls will be drywalled and taped. All exposed wood to be drywalled and taped. No trusses to be cut
- 5 All phases of construction shall comply w/California Ed of the U.B.C. and/or state & local codes
- 6 Upon completion contractor shall remove all debris & excess material & leave areas of work broom clean
- 7 All fasteners exposed to weathering shall be corrosive resistant or galvanized metal
- 8 Skylight shall be I.C.B.O. no. 1998 approved item
- 9 Framing Lumber (vertical) D.F.L.#2 (or better)
- 10 Type of construction V.H.
- 11 Group of occupancy R-1
- 12 Contractor to furnish additional structural drawings and calculations requested by building official
- 13 Interior & exterior walls to be patched and painted to match existing finishes
- 14 Caulk around frame to provide a waterproof seal
- 15 Skylights may be installed in any combination not to exceed Title XXIV of the California State Energy Conservation Standard
- 16 No self flashing skylites allowed. NO EXCEPTIONS
- 17 ALL SKYLITES SHALL BE FASTENED DOWN WITH CAP SCREWS ONLY. NAILS ARE NOT PERMISSIBLE
- 18 ALL SKYLITES ARE REQUIRED TO HAVE A MINIMUM OF 5/8" CLEARANCE ABOVE THE ROOF



FLOOR PLAN

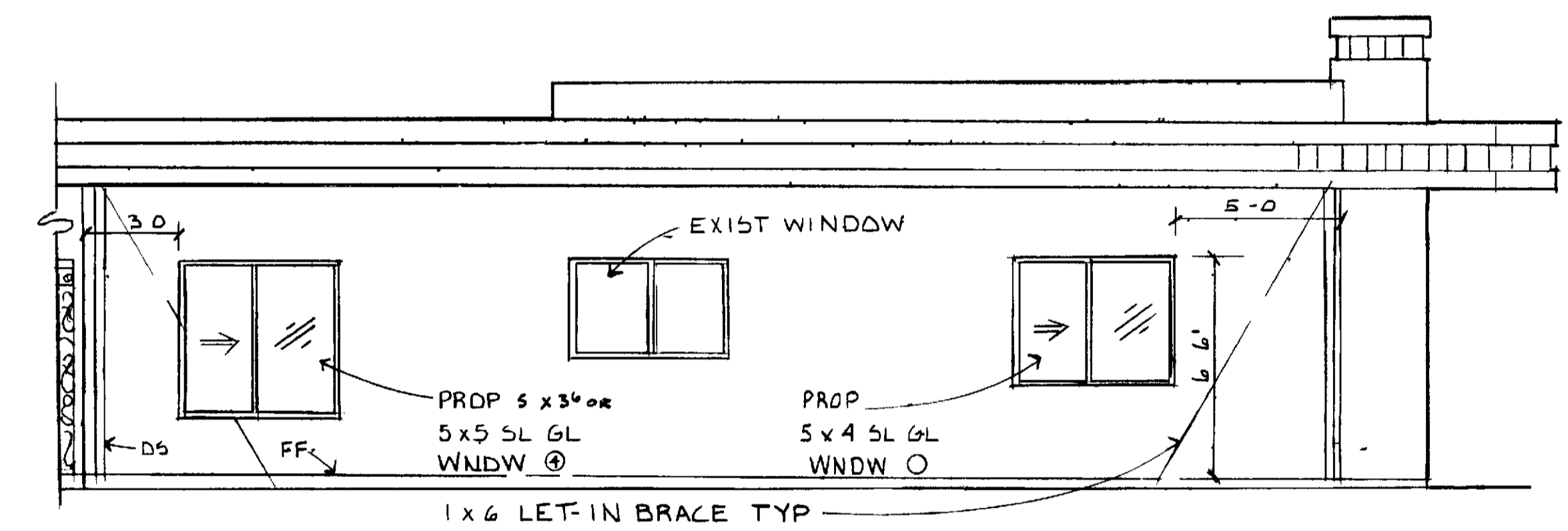
SCALE 1/4" = 1'-0"



ELEVATION A

SCALE 1/4" = 1'-0"

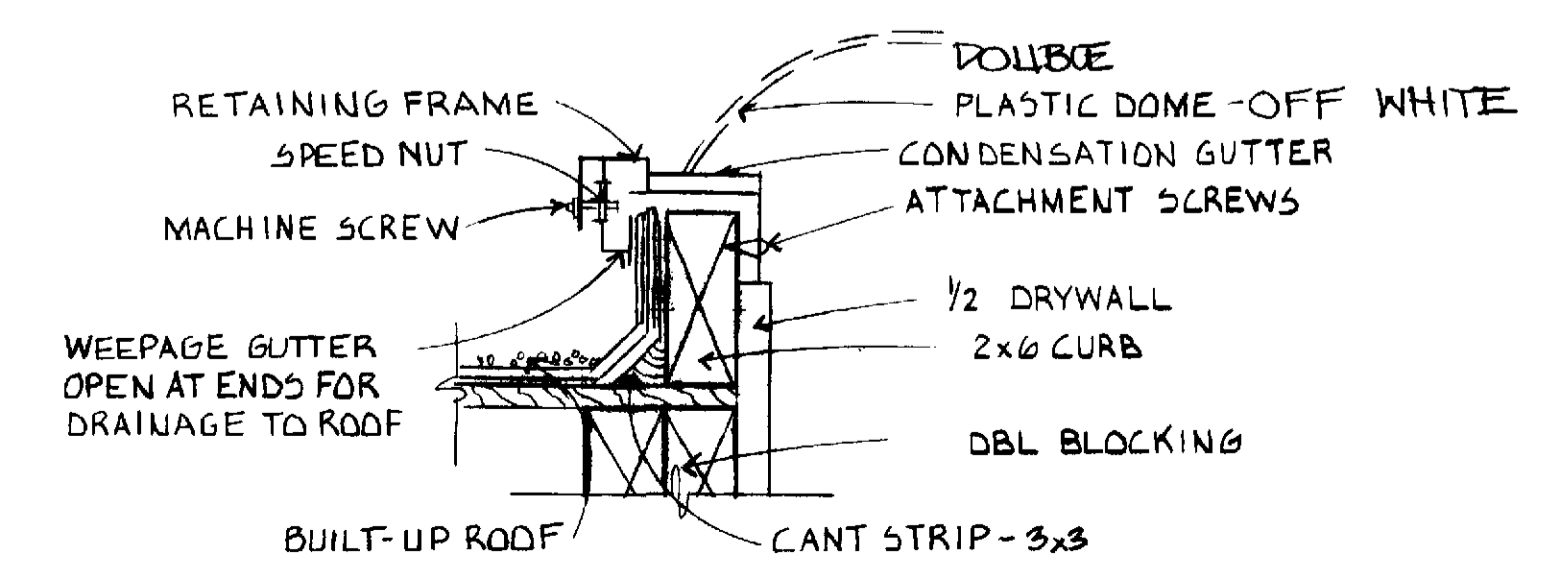
NOTE IF DIAG BRACING IS CUT A SHEER PANEL SHALL BE INSTALLED PER THE U.B.C.



ELEVATION B

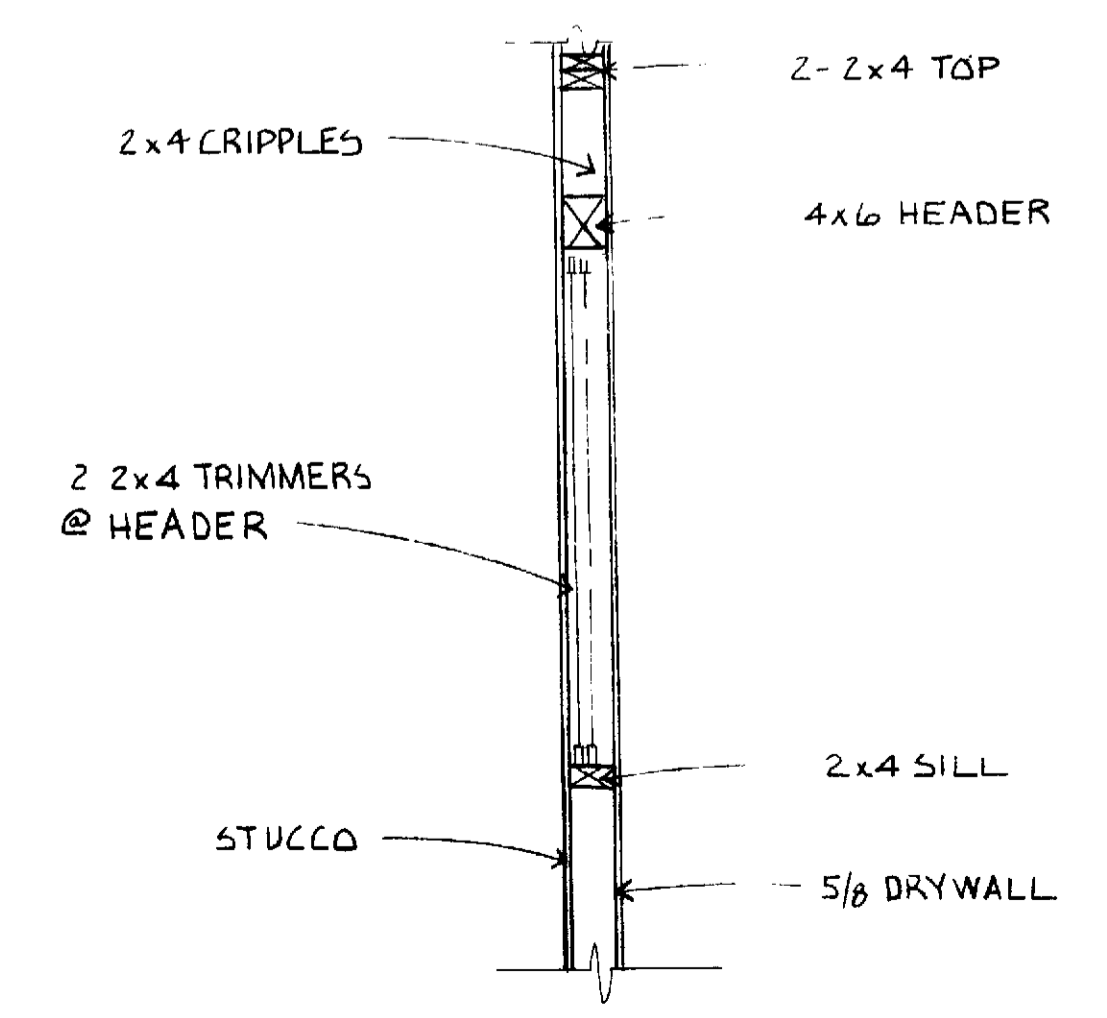
SCALE 1/4" = 1'-0"

SQUARE FOOTAGE OF UNIT	2593 #
EXISTING SQ FOOTAGE OF GLAZING	288 #
TOTAL PROPOSED MAZ GLAZING	360 #
(SEE NOTE 15)	



TYP CURB DETAIL

SCALE 3/8" = 1'-0"



TYP WINDOW DETAIL

SCALE 1/4" = 1'-0"

CASA LORENZO
SKYLIGHT & WINDOW PLAN
 Laguna Woods Village
STANDARD PLAN 230
 PROFESSIONAL COMMUNITY
 MANAGEMENT INC
 POB 2220 LAGUNA HILLS CA 92653
 APPROVED BY *Jimmy White*
 SHEET 1 OF 1 | 9 15 02 **230** SW