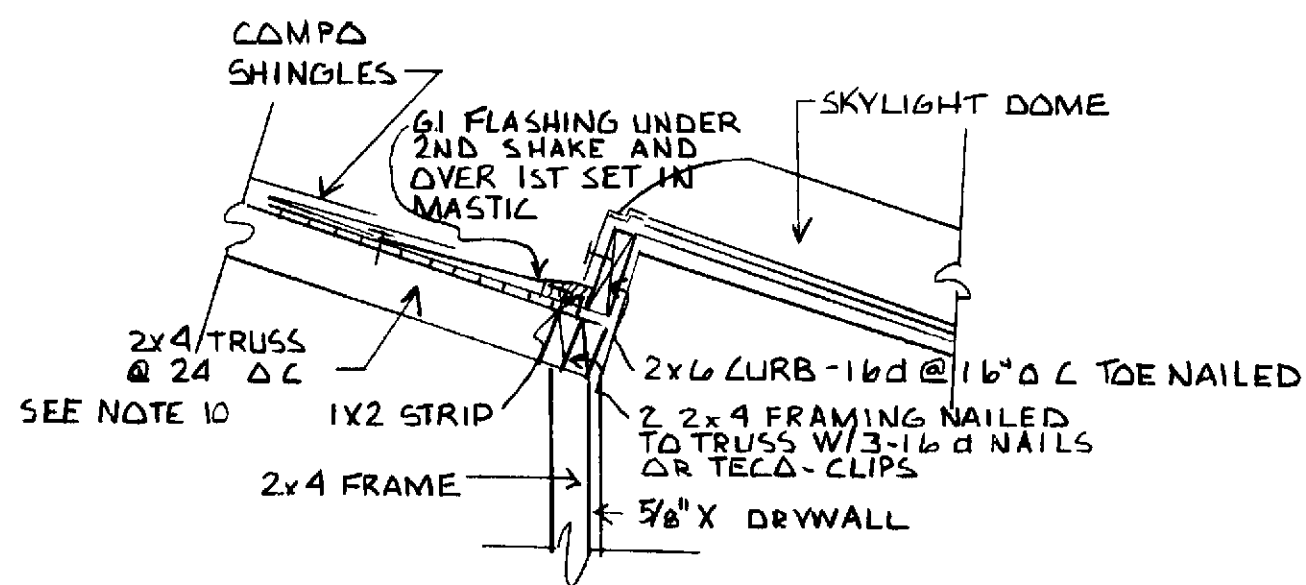
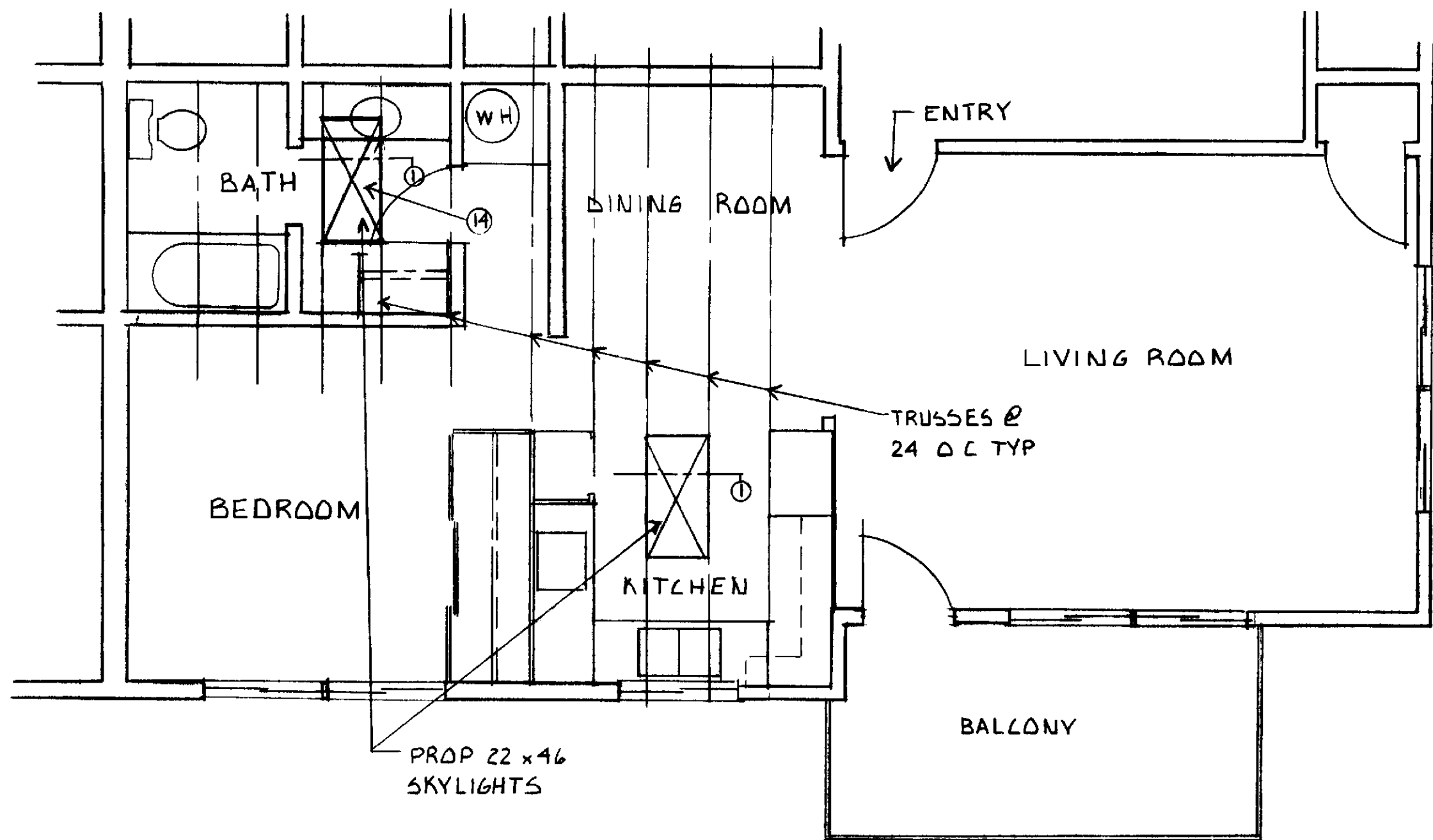


NOTES

- 1 Dm n n hav pr fr n v r l
 - 2 Cntr tr h ll v r fy ll dim n i and nd tion @ h j b
it pr r t m n ing on tru ti n
 - 3 Cntr tr hall ur and pay fr ll p rmit r qu r d by P C M
In and Or ng C unty Building D pt
 - 4 All ph f n truct n h ll mply with th ~~comat~~ Ed f th
U B C and/ r t t and l l d
 - 5 Up n mplt n ntra tr hall r m v ll d br and x m
t r l and l av r s f wrk br m l an
 - 6 Cntr t r t furn h ddit n l tru tur l drawing and l ul -
t n r qu t d by bul dng ffi l
 - 7 Fram ng Lumb r
H ri ont l D F L #1
V rti l D F L #2 (r b t t r)
 - 8 Typ f n tru ti n V N
 - 9 Gr up f upan y R l
 - 10 Skylight well and ll xp d w d b dryw ll d nd t p d
N ru t b ut
 - 11 All fa t r xp d t w th ring h ll b r r iv r i tant
r g lvan d met l
 - 12 Skylight hall b I C B O N 1998 ppr v d t m
 - 13 Skyl ght may b n t ll d n any mb n t i n n t t x d
Titl XXIV f th Calif rn S at En rgy C n r v t n St nd rd
 - 14 Low r d il ng in th r S l and l at n f haft t l
ing l n pti nal
- 15 NO SELF-FLASHING SKYLITES SHALL BE ALLOWED
16 SKYLITE SHALL BE FASTENED DOWN WITH HEX HEAD OR CAP SCREWS
ONLY NO NAILS SHALL BE USED



① TYPICAL CURB DETAIL
SCALE 1 = 1 - 0

SQUARE FOOTAGE OF UNIT ——— 892 ϕ
EXIST SQ FOOTAGE OF GLAZING ——— 91 ϕ
TOTAL PROP MAX GLAZING ——— 107 ϕ
(SEE NOTE 10)

SKYLIGHT PLAN
CADIZ 6 PLAN

LEISURE WORLD
STANDARD PLAN 29 **29**

PROFESSIONAL COMMUNITY
MGMT INC. *Jerry White*
POB 2220 LAGUNA HILLS
380 4616

APPROVED BY _____

3 7 83

SW